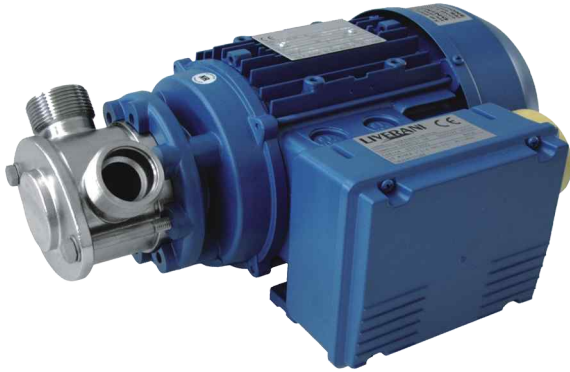
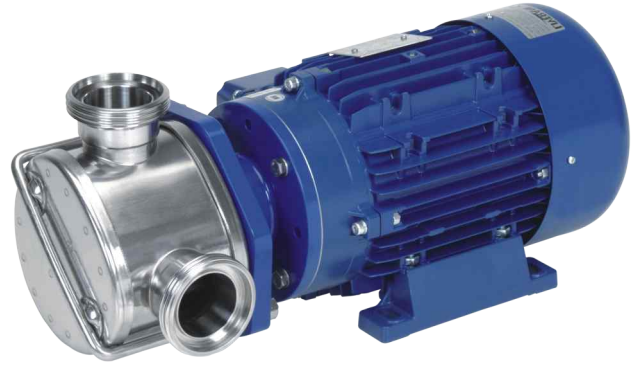


Elettropompe coassiali Coaxial pumps



EP MINI 3/4"
EP MIDEX 1 1/4"

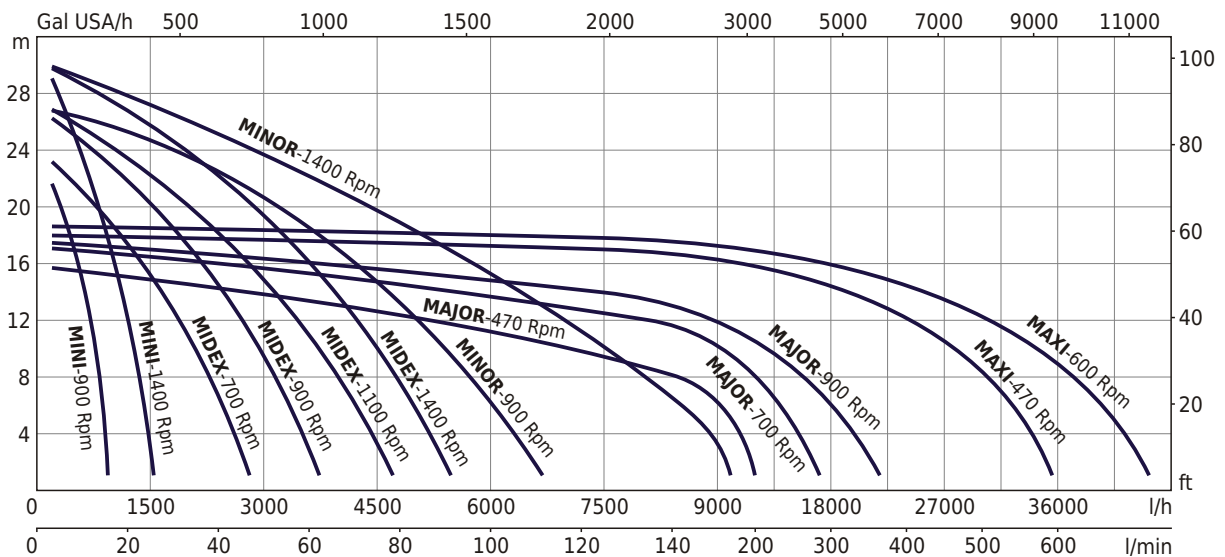


EP MINOR 40
EP MAJOR 60
EP MAXI 80

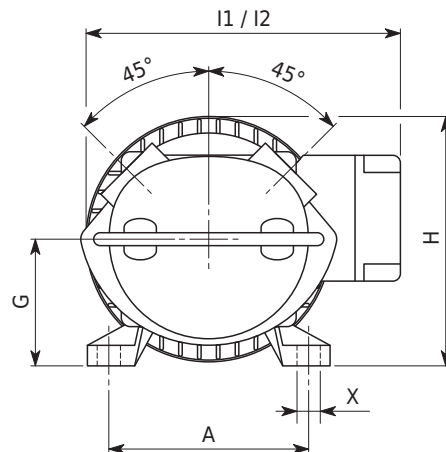
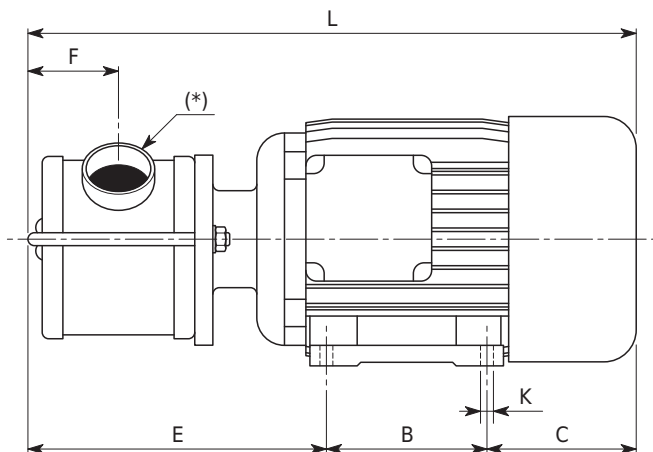
Tipo Type	Peso Weight	Motore * Motor *	HP	kW	Velocità Speed	Giri/min Rpm	H (m) = Prevalenza / Head									
							0	4	8	12	16	18	24	27	30	32
EP MINI 3/4"	9.3 kg	MF - TF	0.5	0.37	1	900	1000	900	840	720	540	450	0			
	9.0 kg	MF - TF	0.75	0.56	1	1400	1620	1440	1320	1140	1020	900	600	400	180	0
	10 kg	CC 12-24V	0.4	0.3	1	1400	1620	1440	1320	1140	1020	900	600	400	180	0
EP MIDEX 1 1/4"	15 kg	MF - TF	0.75	0.56	1	900	3840	3480	3180	2760	2160	1800	720	0		
	15 kg	MF - TF	1	0.75	1	1400	5760	5160	4800	4320	3600	3180	1920	1200	0	
	15 kg	TF	0.75	0.56	2	1400	5760	5160	4800	4320	3600	3180	1920	1200	0	
			0.5	0.37	2	700	2880	2600	2300	1900	1400	1100	0			
	14 kg	CC 12V	0.74	0.55	1	1100	4800	4400	3980	3450	2800	2400	1100	0		
	14 kg	CC 24V	0.74	0.55	1	1100	4800	4400	3980	3450	2800	2400	1100	0		
EP MINOR 40	20 kg	MF - TF	2	1.5	1	900	6900	6200	5760	5040	4200	3660	1800	0		
	20 kg	TF	2	1.5	1	1400	10000	9000	8000	6900	5500	4900	2600	1700	0	
	27 kg	TF	2.5	1.87	2	1400	10000	9000	8000	6900	5500	4900	2600	1700	0	
			1.82	1.35	2	900	6900	6200	5760	5040	4200	3660	1800	0		
EP MAJOR 60	38 kg	TF	1.7	1.25	1	470	12000	10500	8700	5100	0					
	31 kg	TF	2	1.5	1	700	18000	15000	12000	8400	2500	0				
	31 kg	TF	2.5	1.87	1	900	22500	19560	15000	11220	3000	0				
EP MAXI 80	68 kg	TF	4.5	3.3	1	470	36000	34200	30000	24000	12000	0				
	68 kg	TF	4.7	3.5	1	600	43800	41400	36000	30000	16000	0				

Q (l/h) = Portata / Capacity

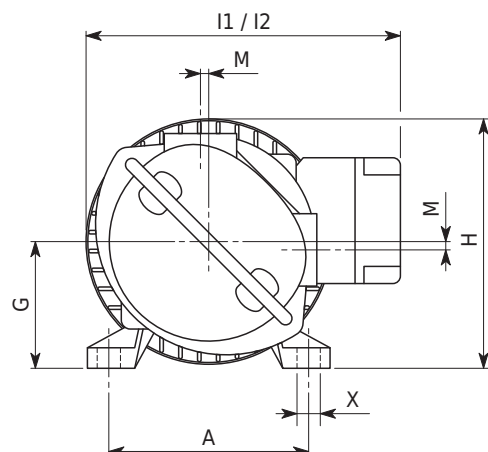
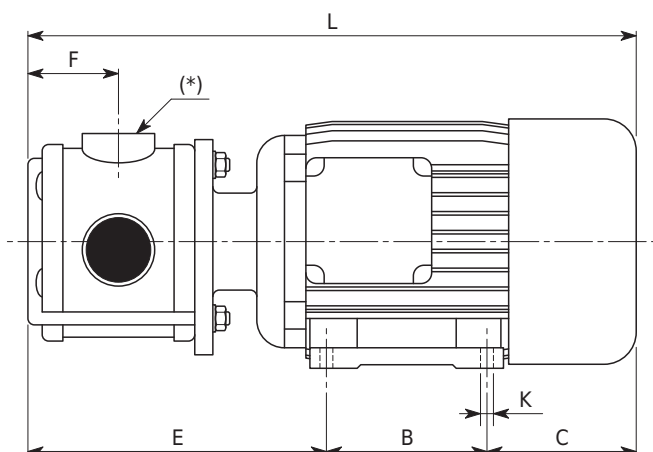
* MF = monofase/single-phase - TF = trifase/three-phase - CC = corrente continua/direct current



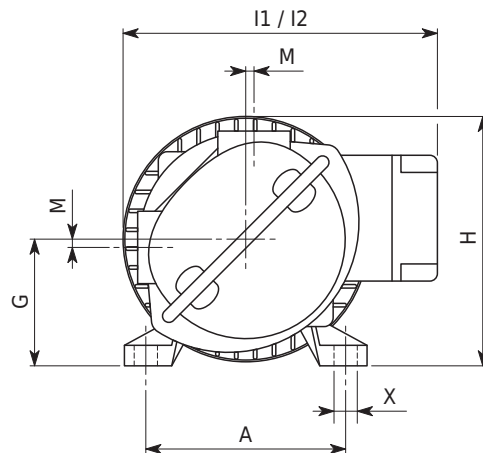
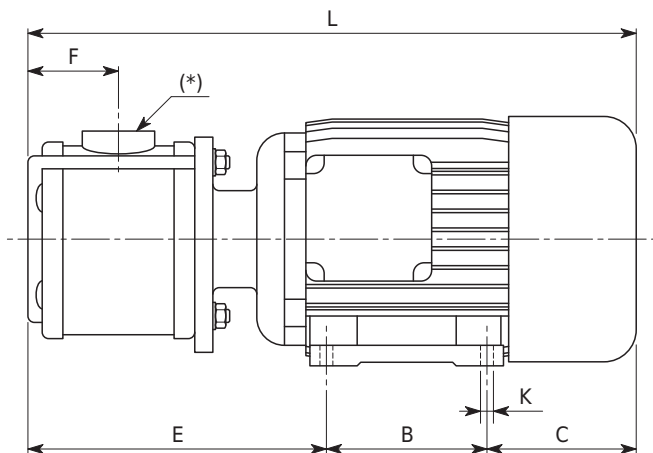
Posizione
Position
V



Posizione
Position
90D



Posizione
Position
90S



Tipo Type	Motore Motor	Velocità Speed	A	B	E	F	G	H	I1 **	I2 **	L	M	K	X
EP MINI 3/4"	M71	1	112	90	106	26	71	140	192	210	276	0	7	12
EP MIDEX 1"1/4	M80	1	125	100	148	38	80	159	200	227	338	7	8	16
	M80	2	125	100	148	38	80	159	-	227	338	7	8	16
EP MINOR 40	M90	1	140	125	198	60	90	180	210	240	420	4.5	10	16
	M100	2	160	140	210	60	100	198	-	260	455	4.5	12	21
EP MAJOR 60	M100	1	160	140	253	70	100	198	245	263	490	6.5	12	21
	M112	1	190	140	259	70	112	225	275	-	514	6.5	12	22
EP MAXI 80	M132	1	216	178	312	90	132	261	320	-	630	13	12	22

* raccordi disponibili p.17 / available pipe fittings p.17

** I1 = motore con morsetteria / motor with terminal board connection

** I2 = motore con interruttore/invertitore / motor with on-off/rotative reverse switch