



RID MINOR 40
RID MAJOR 60
RID MAXI 80



RID MAXI Double



RID MAXI Double 2Q

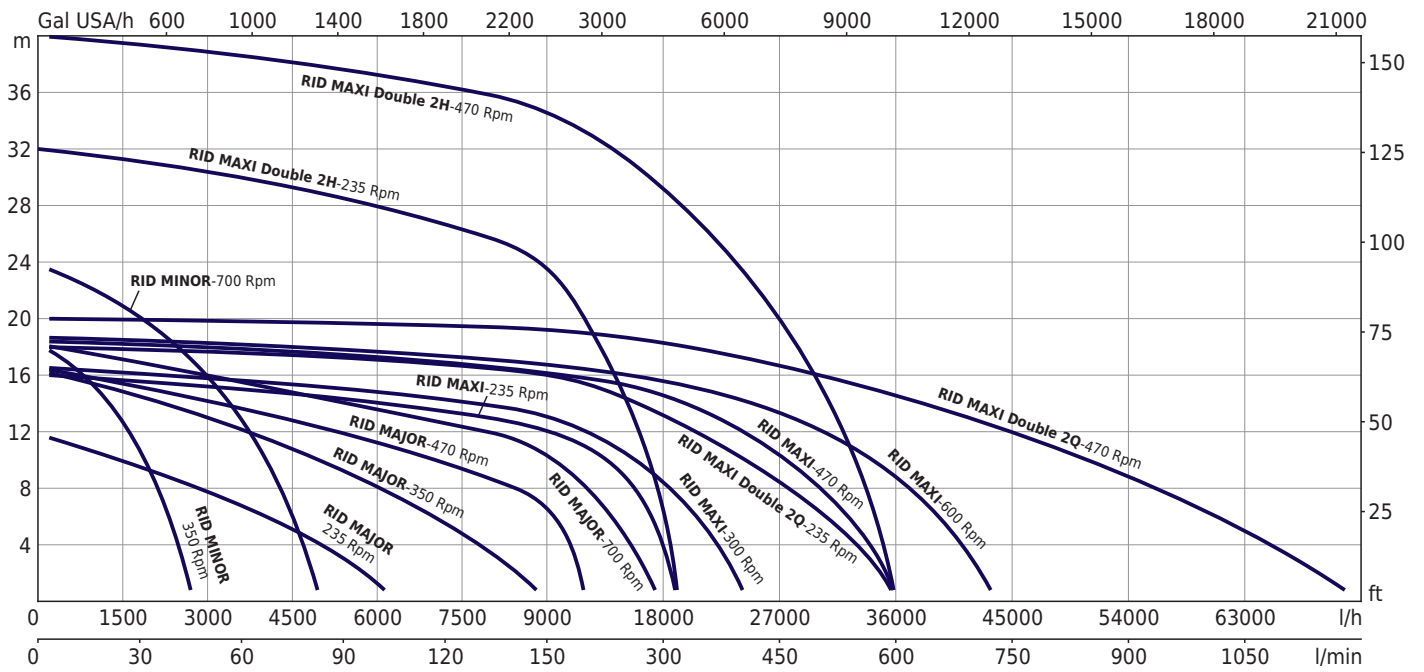


RID MAXI Double 2H

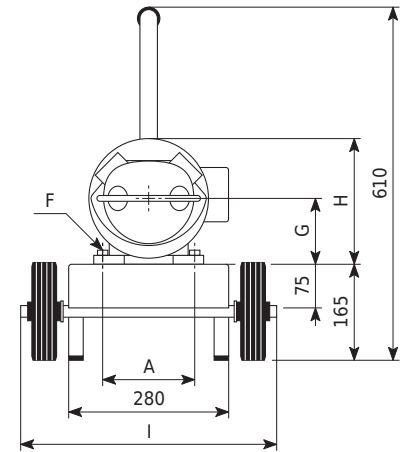
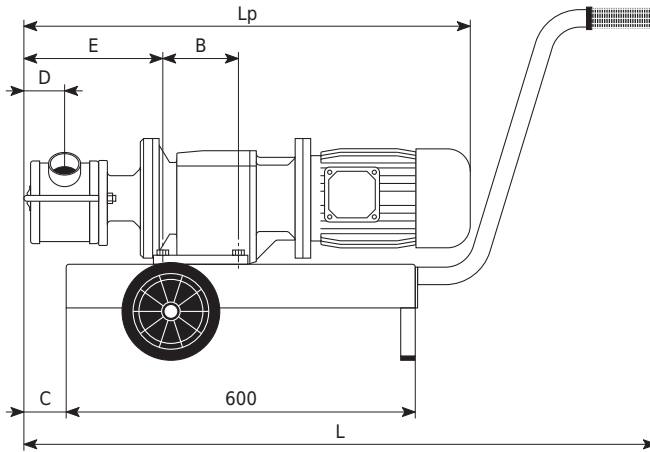
Tipo Type	Peso Weight	Motore * Motor *	HP	kW	Velocità Speed	Giri/min Rpm	H (m) = Prevalenza / Head								
							0	4	12	16	18	20	24	32	40
RID MINOR 40	38 kg	TF	2	1.5	1	350	2750	2500	1600	800	0				
	38 kg	TF	2	1.5	1	700	5000	4700	3700	3000	2520	1800	0		
	38 kg	TF	3 2	2.2 1.5	2	700 350	5000 2750	4700 2500	3700 1600	3000 800	2520 0	1800	0		
RID MAJOR 60	48 kg	TF	3	2.2	1	235	6300	5100	0						
	48 kg	TF	3	2.2	1	350	9000	7800	3700	0					
	48 kg	TF	3	2.2	1	470	12000	10500	5100	0					
	48 kg	TF	3	2.2	1	700	18000	15000	8400	2500	0				
	48 kg	TF	3 2	2.2 1.5	2	470 235	12000 6300	10500 5100	5100 0	0					
	48 kg	TF	3 2	2.2 1.5	2	700 350	18000 9000	15000 7800	8400 3700	2500 0	0				
RID MAXI 80	79 kg	TF	5.5	4	1	235	19200	18000	9600	0					
	79 kg	TF	5.5	4	1	300	24600	22200	12000	0					
	79 kg	TF	5.5	4	1	470	36000	34200	24000	12000	0				
	79 kg	TF	5.5	4	1	600	43800	41400	30000	16000	0				
	79 kg	TF	6 4.5	4.5 3.3	2	470 235	36000 19200	34200 18000	24000 9600	12000 0	0				
	79 kg	TF	6 4.5	4.5 3.3	2	600 300	43800 24600	41400 22200	30000 12000	16000 0	0				
RID MAXI Double 2Q	185 kg	TF	7.5	5.5	1	470	72000	65000	45000	30000	20000	0			
	200 kg	TF	7.5 4	5.5 3	2	470 235	72000 36000	65000 33000	45000 20500	30000 10000	20000 0	0			
RID MAXI Double 2H	185 kg	TF	7.5	5.5	1	470	36000	35000	32000	29700	28400	27000	23600	14300	0
	200 kg	TF	7.5 4	5.5 3	2	470 235	36000 19200	35000 18500	32000 16200	29700 14300	28400 13200	27000 12000	23600 9000	14300 0	0

Q (l/h) = Portata / Capacity

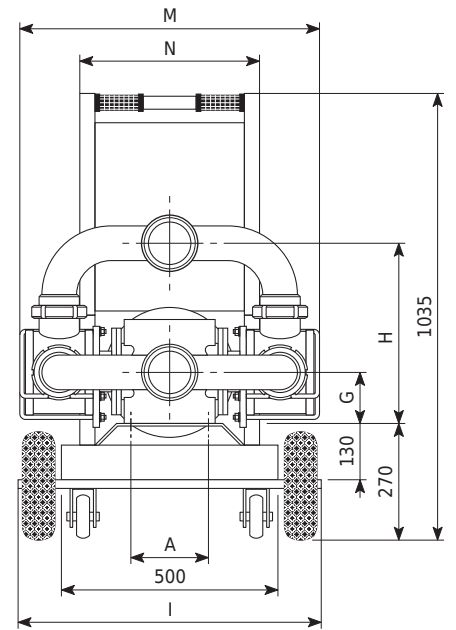
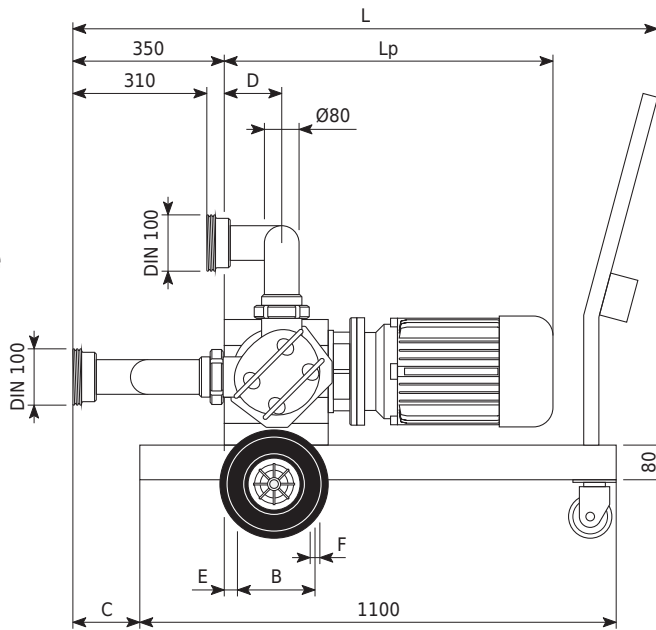
* TF = trifase / three-phase



**RID
MINOR 40
MAJOR 60
MAXI 80**



**RID
MAXI Double**



Tipo / Type	A	B	C	D	E	F	G	H	I	L	Lp	M	N
RID MINOR 40	65-73	41.5	40	60	210	M12	103	203	440	1050	680	-	-
RID MAJOR 60	160	130	135	70	245	Ø11	110	210	440	1145	770	-	-
RID MAXI 80	180	149.5	160	90	255	Ø14	130	255	440	1200	850	-	-
RID MAXI Double	175	170	155	135	35	Ø14	120	416	700	1350	730	695	415